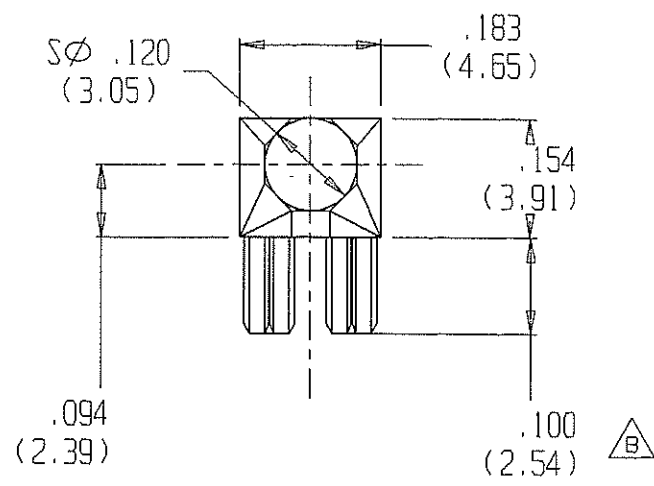
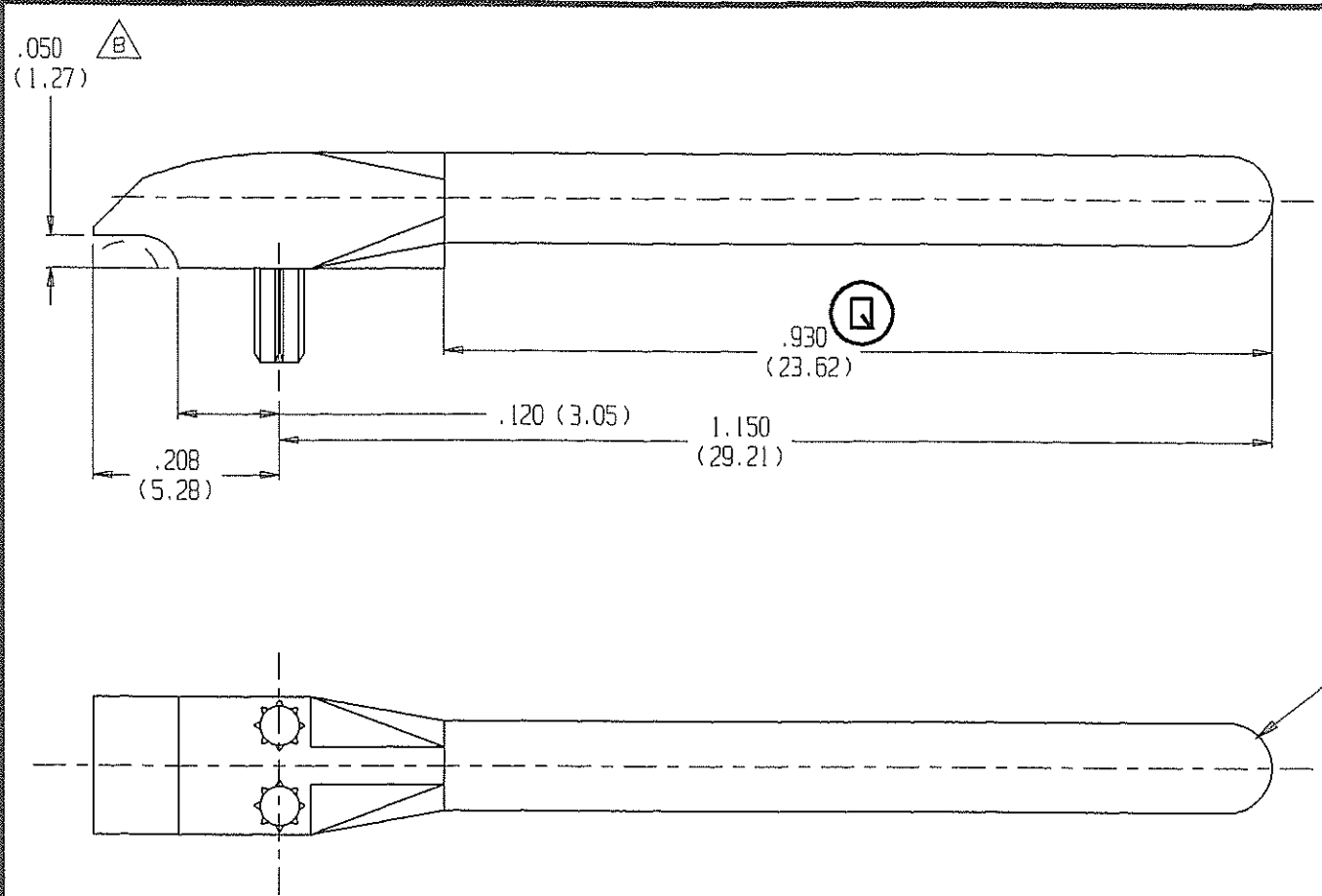
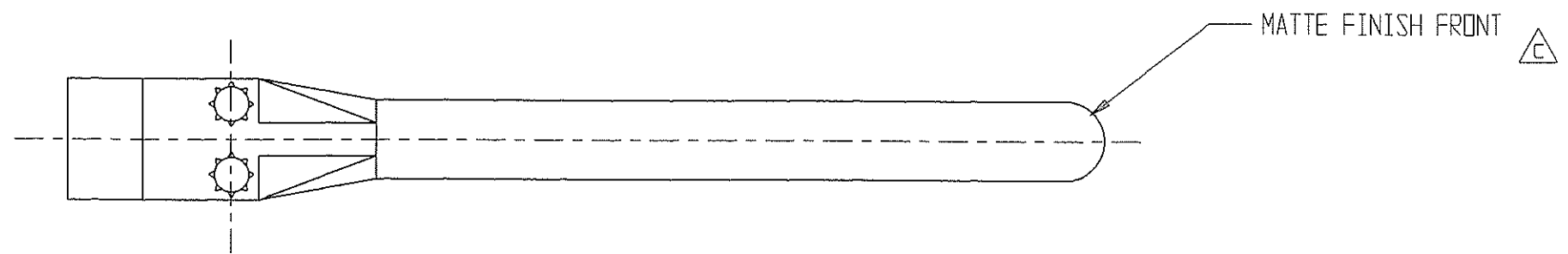


ORIGINAL

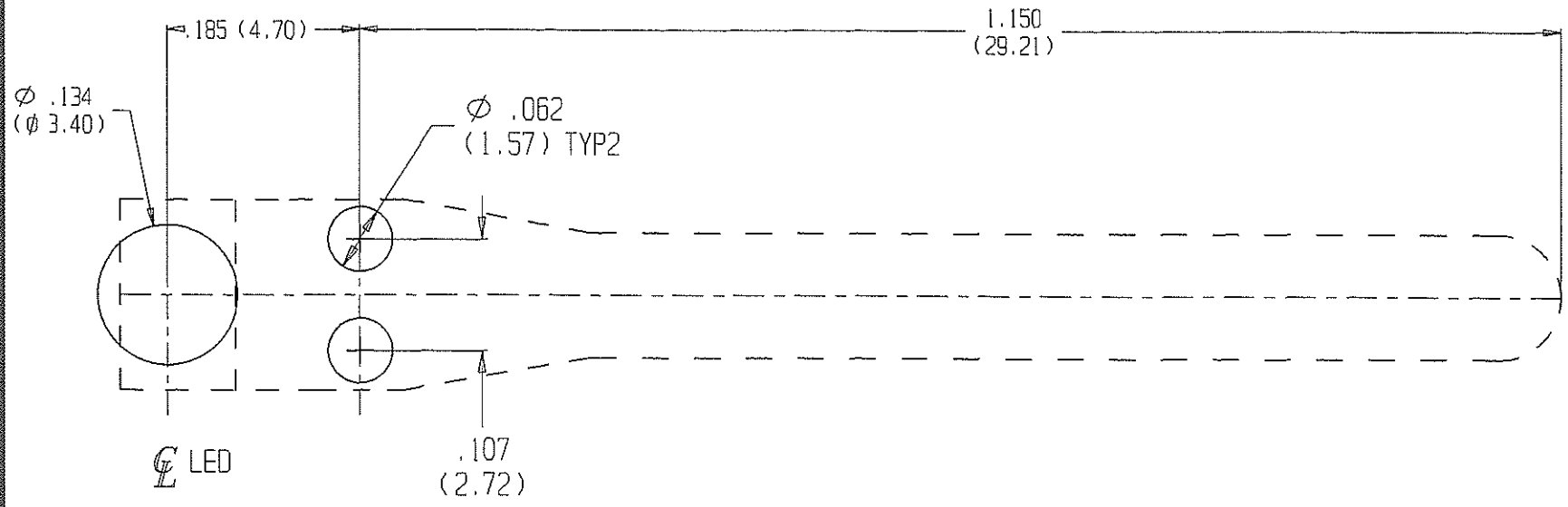


REV	ECR NO./DESCRIPTION	DATE
A	15996 KB NEW RELEASE	3/30/98
B	16005 KB ASSIGNED MODEL # & ADDED DIM'S	4/1/98
C	16107 KB CHG'D NOSE & ADDED PIN DETAIL	4/21/98



- NOTES:
- 1) ALL DIMENSIONS ARE IN INCHES (mm).
 - 2) THIS COMPONENT DESIGNED TO BE USED WITH CML SERIES CMD91-21XXX/TR9 LED
 - 3) MATERIAL: CLEAR POLYCARBONATE UL 94-V0.

LED AND MTG HOLE CONFIGURATION (.029 LED PROTRUSION)
SCALE 6 : 1 TOLERANCES ±.005(0.13)


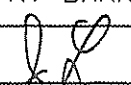
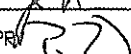


DO NOT SCALE

- Ⓚ FOR INSPECTION USE ONLY
- ⓧ SPC DOCUMENTATION REQ. (X R CHARTS)

DIST.
S

THIS DWG IS THE PROPERTY OF CHICAGO MINIATURE LAMP, INC. AND IS PROPRIETARY IN GENERAL AND IN DETAIL. IT SHALL NOT BE COPIED OR ITS CONTENTS REVEALED TO OUTSIDE PARTIES WITHOUT THE WRITTEN CONSENT OF CHICAGO MINIATURE LAMP, INC.

PART NO. -	TITLE
MODEL NO. 7511A73 ^B	LIGHTPIPE
MATERIAL: SEE NOTE 3	 CHICAGO MINIATURE LAMP INC. 147 CENTRAL AVE. HACKENSACK, NJ 07601
FINISH: -	
TOLERANCE UNLESS OTHERWISE SPECIFIED:	DRAWN K. BARRETT CHECKED  ENG. APPR  4/22/98
FRACTION INCHES .xx ±.010(0.25) .xxx ±.010(0.25) ANGLE ± 1 deg.	SCALE: NTS B15110 REV C